

## REISHAUER Clamping Systems mechanically expanding



**Clamping Device DME** for retraction unit; Retraction Unit EZ;

**Clamping Device DME** for quick change chuck; **Clamping Device FME**

### Quality Features

- High precision collet for highest accuracy
- big expansion range
- Mounting clearance adjusted to requirements
- Technical support from one source
- SWISS MADE → highest quality standard
- Long service life at constant precision  
→ low cost per piece

Sorts of clamping devices

### High-precision grinding results demand an equally high precision in clamping

Reishauer builds on its own comprehensive knowledge of the gear grinding process and on this basis, develops and manufactures customer specific clamping devices. The connection “machine – clamping device – grinding wheel – dresser” – makes possible a grinding process that is optimally fine-tuned to specific quality. The

specific use of hydraulic change clamping systems reduces the set-up time and increases productivity. This translates into the full use of the high economic potential of the Reishauer machine, whether for large or small scale production volumes.

# Clamping Device



## rigid

- mounted directly on C-axis
- large batch sizes
- changeover seldom



## rigid and flexible

- mounted modularly on base unit
- middle batch sizes
- changeover 3 to 5 times per week



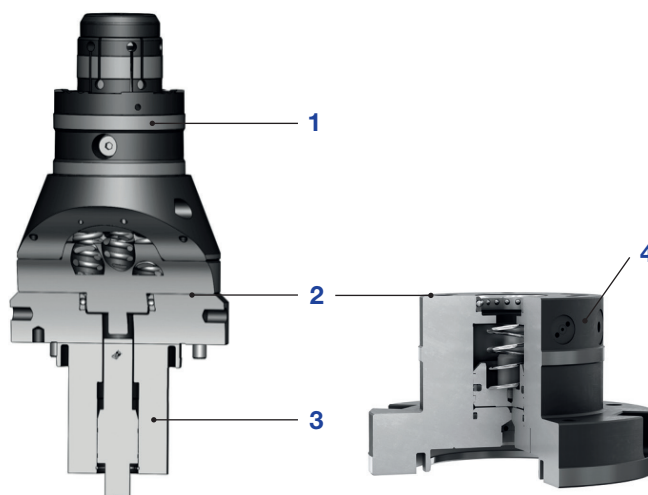
## flexible and quick

- fast mounted on quick-change system
- small batch
- changeover 3 to 5 times per day

# REISHAUER – Solutions

## Maximum stiffness and flexibility in highest precision

- 1 REISHAUER-Clamping device DME; mechanically expansion arbor
- 2 Identical connection
- 3 REISHAUER-Clamping device FK 38; Base unit for the RZ 60 /160
- 4 REISHAUER-Clamping device FK 38; Base unit for the RZ 260 and larger RZ machines (base unit with integrated pressure transmitter)



# REISHAUER

Gear Grinding Technology

Reishauer is a leading supplier of gear grinding technology who can look back on decades of experience. The new clamping devices are an important mile stone in the development of the Reishauer performance portfolio.

**Reishauer AG** T +41 44 832 22 11  
8304 Wallisellen info@reishauer.com  
Switzerland www.reishauer.com