

Industrial Steel/Steel Spherical Plain Bearings



Smoother. Faster. Longer.
Because That's How We Roll.

Industrial Steel/Steel Spherical Plain Bearings

RBC Industrial Steel/Steel Spherical Plain Bearings are designed to support heavy radial loads under misalignment. These bearings also possess moderate thrust loading capability.

RBC Industrial Steel/Steel Spherical Plain Bearings are non-separable with a single fractured outer ring and are available in open or sealed designs. The inner and outer rings are manufactured from high carbon chromium bearing steel that is through hardened and phosphate treated prior to coating with a MoS₂ lubricant.

For additional product information, please contact info@rbcfrance.com

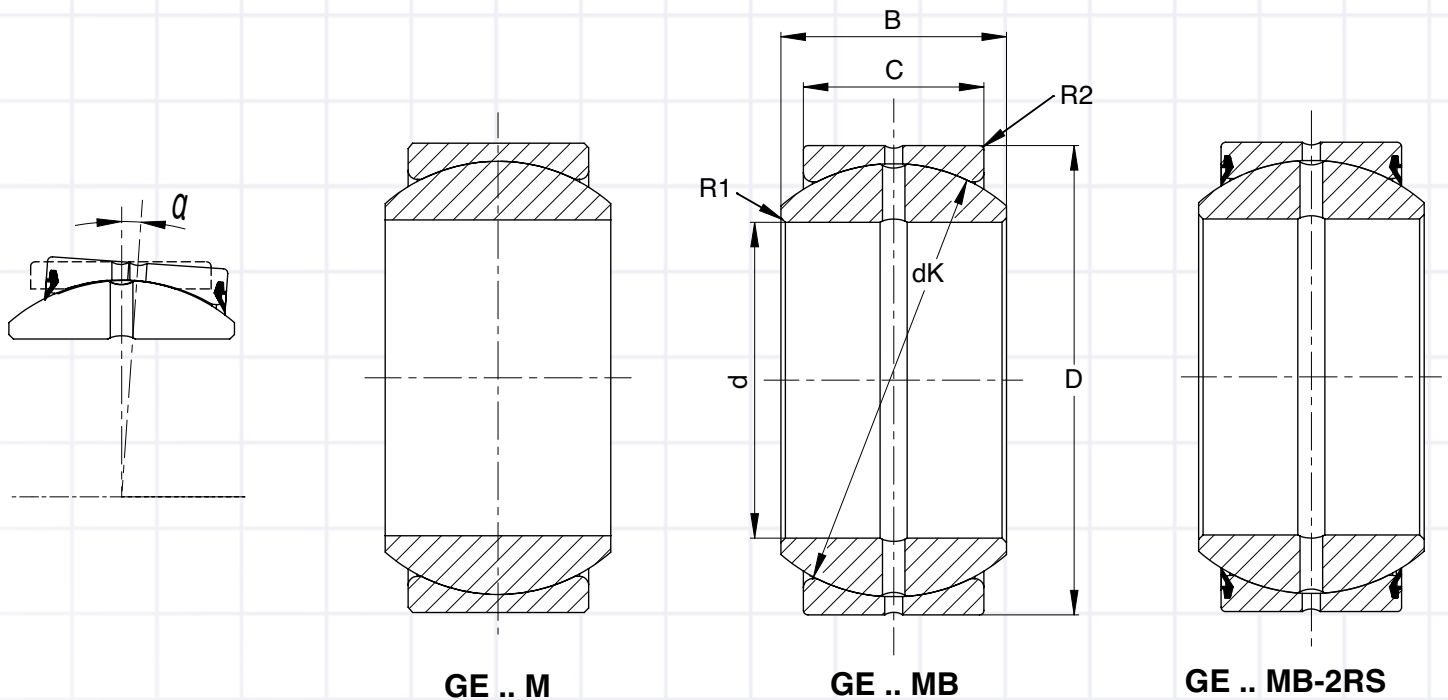
Typical Spherical Plain Bearing Applications

- ✓ Hydraulic Cylinders
- ✓ Mining & Construction Equipment
- ✓ Agricultural Equipment
- ✓ Snow Grooming Machines
- ✓ Rail & Tramway
- ✓ Oil & Gas
- ✓ Ship & Port Machinery
- ✓ Solar Energy
- ✓ Material Handling Equipment
- ✓ *and many, many more...*



Industrial Steel/Steel Spherical Plain Bearings

Radial - Metric



Part Number		Dimensions mm								Load Ratings kN		Weight kg
Without Seals	With Seals	d	D	B	C	dk (REF)	R1 min	R2 min	α ≈	dyn. C	stat. CO	
GE 12 M	-	12	22	10	7	18	0.3	0.3	11	10.8	54	0.016
GE 15 MB	-	15	26	12	9	22	0.3	0.3	8	17	85	0.025
GE 17 MB	GE 17 MB-2RS	17	30	14	10	25	0.3	0.3	10	21.2	106	0.041
GE 20 MB	GE 20 MB-2RS	20	35	16	12	29	0.6	0.3	9	30	146	0.061
GE 25 MB	GE 25 MB-2RS	25	42	20	16	35.5	0.6	0.6	7	48	240	0.110
GE 30 MB	GE 30 MB-2RS	30	47	22	18	40.7	0.6	0.6	6	62	310	0.140
GE 35 MB	GE 35 MB-2RS	35	55	25	20	47	0.6	1	6	80	400	0.220
GE 40 MB	GE 40 MB-2RS	40	62	28	22	53	0.6	1	7	100	500	0.300
GE 45 MB	GE 45 MB-2RS	45	68	32	25	60	0.6	1	7	127	640	0.410
GE 50 MB	GE 50 MB-2RS	50	75	35	28	66	0.6	1	6	156	780	0.530
GE 60 MB	GE 60 MB-2RS	60	90	44	36	80	1	1	6	245	1220	1.000
GE 70 MB	GE 70 MB-2RS	70	105	49	40	92	1	1	6	315	1560	1.500
GE 80 MB	GE 80 MB-2RS	80	120	55	45	105	1	1	6	400	2000	2.200
GE 90 MB	GE 90 MB-2RS	90	130	60	50	115	1	1	5	490	2450	2.700
GE 100 MB	GE 100 MB-2RS	100	150	70	55	130	1	1	7	610	3050	4.300
GE 110 MB	GE 110 MB-2RS	110	160	70	55	140	1	1	6	655	3250	4.700
GE 120 MB	GE 120 MB-2RS	120	180	85	70	160	1	1	6	950	4750	8.000
GE 140 MB	GE 140 MB-2RS	140	210	90	70	180	1	1	7	1080	5400	11.000
GE 160 MB	GE 160 MB-2RS	160	230	105	80	200	1	1	8	1360	6800	14.000
GE 180 MB	GE 180 MB-2RS	180	260	105	80	225	1	1	6	1530	7650	18.500
GE 200 MB	GE 200 MB-2RS	200	290	130	100	250	1.1	1.1	7	2120	10600	28.000
GE 220 MB	GE 220 MB-2RS	220	320	135	100	275	1.1	1.1	8	2320	11600	35.510
GE 240 MB	GE 240 MB-2RS	240	340	140	100	300	1.1	1.1	8	2550	12700	39.910
GE 260 MB	GE 260 MB-2RS	260	370	150	110	325	1.1	1.1	7	3030	15190	51.540
GE 280 MB	GE 280 MB-2RS	280	400	155	120	350	1.1	1.1	6	3570	17850	65.060
GE 300 MB	GE 300 MB-2RS	300	430	165	120	375	1.1	1.1	7	3800	19100	78.070

Remarks

1. Outer ring with single fracture in axial direction.
2. Both outer and inner rings are phosphate treated.
3. Lubrication grooves and two oil holes in the outer and inner rings except for GE ... M has no lubrication grooves or oil holes.

+33 1 60 92 17 35

RBC Bearings® has been producing bearings in the USA since 1919. In addition to unique custom bearings, RBC Bearings® offers a full line of standard industrial and aerospace bearings, including:



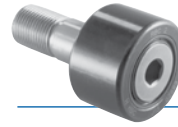
Tapered Roller Thrust Bearings

Case-hardened tapered roller thrust bearings for oilfield top drives and swivels. Available in full complement, maximum capacity versions.



Thin Section Ball Bearings

Standard cross sections to one inch. Bore sizes to 40 inches. Stainless steel and other materials are available. Seals are available on all sizes and standard cross sections. Super duplex configurations.



Cam Followers

Standard stud, heavy stud, yoke type, caged roller followers. Patented **RBC Roller®** cylindrical roller cam followers, **HexLube®** universal cam followers, airframe track rollers.



Cylindrical Roller Bearings

Cylindrical roller bearings designed for mud pump pinion and eccentric positions. Fully interchangeable to industry standards.



Needle Roller Bearings

PitchIgn® caged heavy duty needle roller bearings ideal for cross head bearings applications. These double row bearings are available in single row and **TandemRoller®** versions.



Commercial Rod Ends

Commercial and industrial, precision, Mil-Spec series, self-lubricating, and aircraft. Sold under the **Heim®**, **Unibal®**, and **Spherco®** names. Available in inch and metric sizes.



Spherical Plain Bearings

Radial, angular contact, extended inner ring, high misalignment. **QuadLube®**, **ImpactTuff®**, **SpreadLock® Seal**, **CrossLube®**, **DuraLube™**, and self-lubricating bearings. Available in inch and metric sizes.



Tapered Roller Bearings

Single, double, & multi row versions available for main bearing positions in mud pumps, gear boxes, etc. Bearings are constructed of case hardened steel washers and rollers with bore size of 1 1/2" or greater.



TP Series Bearings

RBC Bearings® TP Series cylindrical roller thrust bearings ideal for crane hooks, oil well swivels, winch systems, and gear boxes. Fully interchangeable with industry standard offering.



Keyless Locking Devices

Mechanical bushings used to connect power transmission components onto rotating shafts. Without the use of keyways, KLDs eliminate the problems associated with backlash including fretting, corroding, and wallowing.



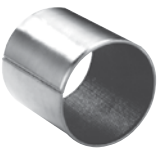
Lubron™ Bearings

Lubron™ self-lubricating bearings designed and custom manufactured in most any size, material and bearing configuration. Applications include hydro power and water control, nuclear power generation, infrastructure, architecture, offshore marine, industrial, machinery and heavy equipment.



Shaft Collars

Used to position or locate a component on a shaft. Made from mild steel, type 303 or 316 stainless steel, aluminum, or acetal. Available in inch and metric sizes.



Self-Lubricating Bearings

Radial, thrust, rod ends, spherical bearings, high temperature, high loads. Available in inch and metric sizes. **Fiberglide®** self-lubricating bearings.



Specials

RBC Bearings® manufactures many specialty bearings for the aerospace, oil and energy, semiconductor equipment, packaging, transportation, and other industries.



Ball Bearings

Precision ground, semiground, unground. High loads, long life, smooth operation. **Nice®** branded products are offered in caged and full complement configurations.



King Pin Spherical Plain Bearings

Self-lubricating types, greased plain bearings, sealed. High loads, high vibration resistant, long life. **CT®**, **SFT™**, and **VFIT™** configurations available.



PIC Design®

Complete line of precision gears, precision hardware, timing belts, pulleys, and linear motion systems. Industries served include industrial, aerospace, defense, medical, robotics and automation, material handling, and assembly. Custom design support for unique applications.