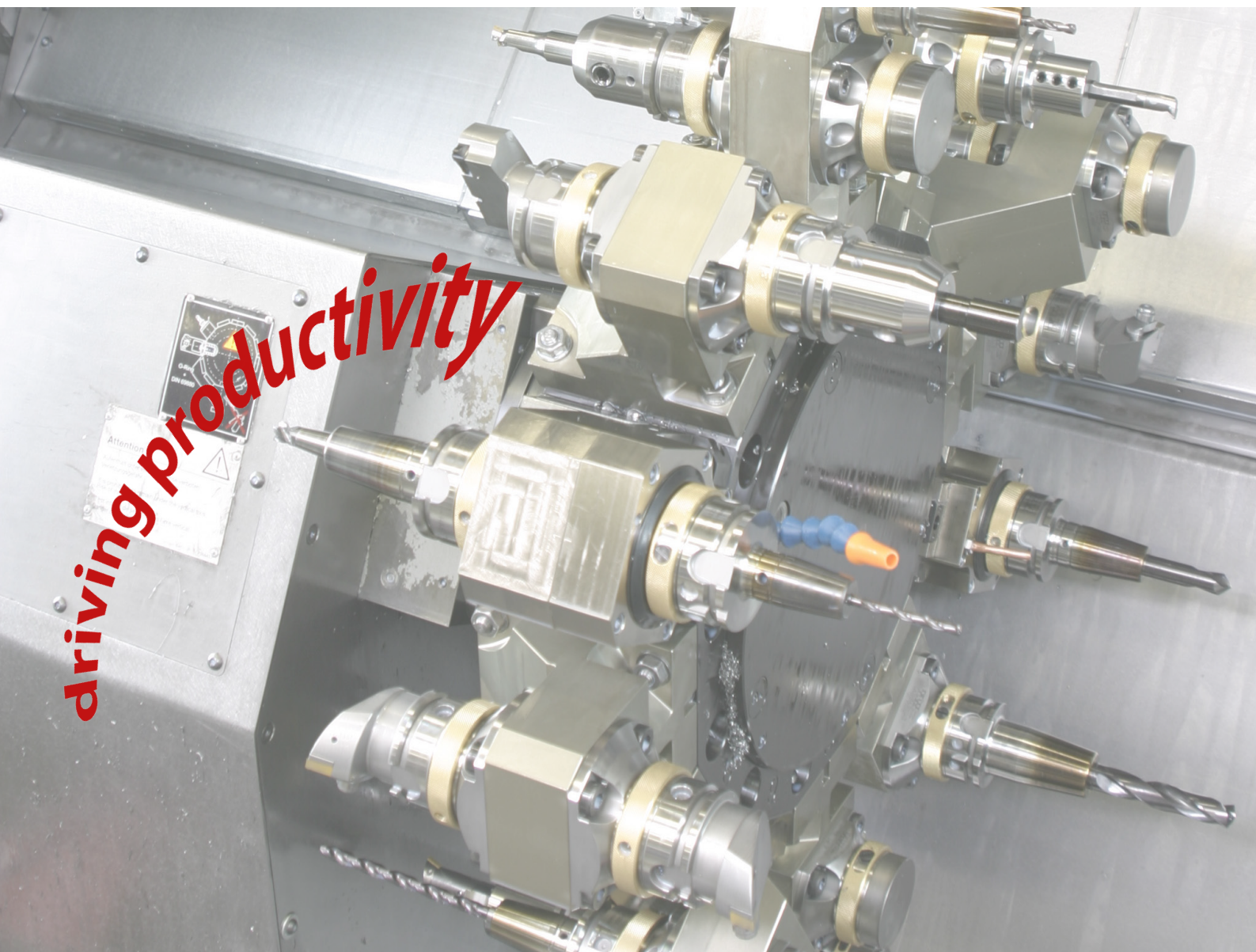


**SWISS  TOOLS<sup>®</sup>**

**QUICK-CHANGE tool system for  
multi-tasking and turning lathes**

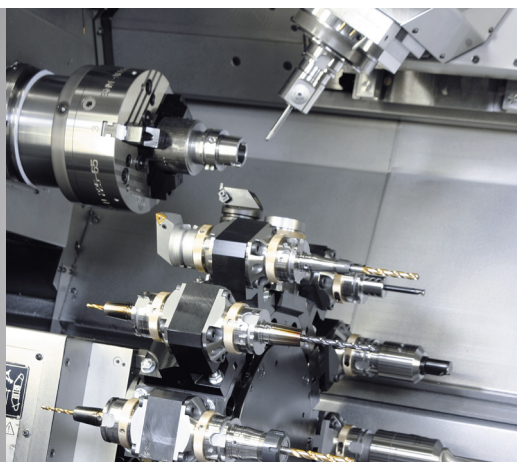
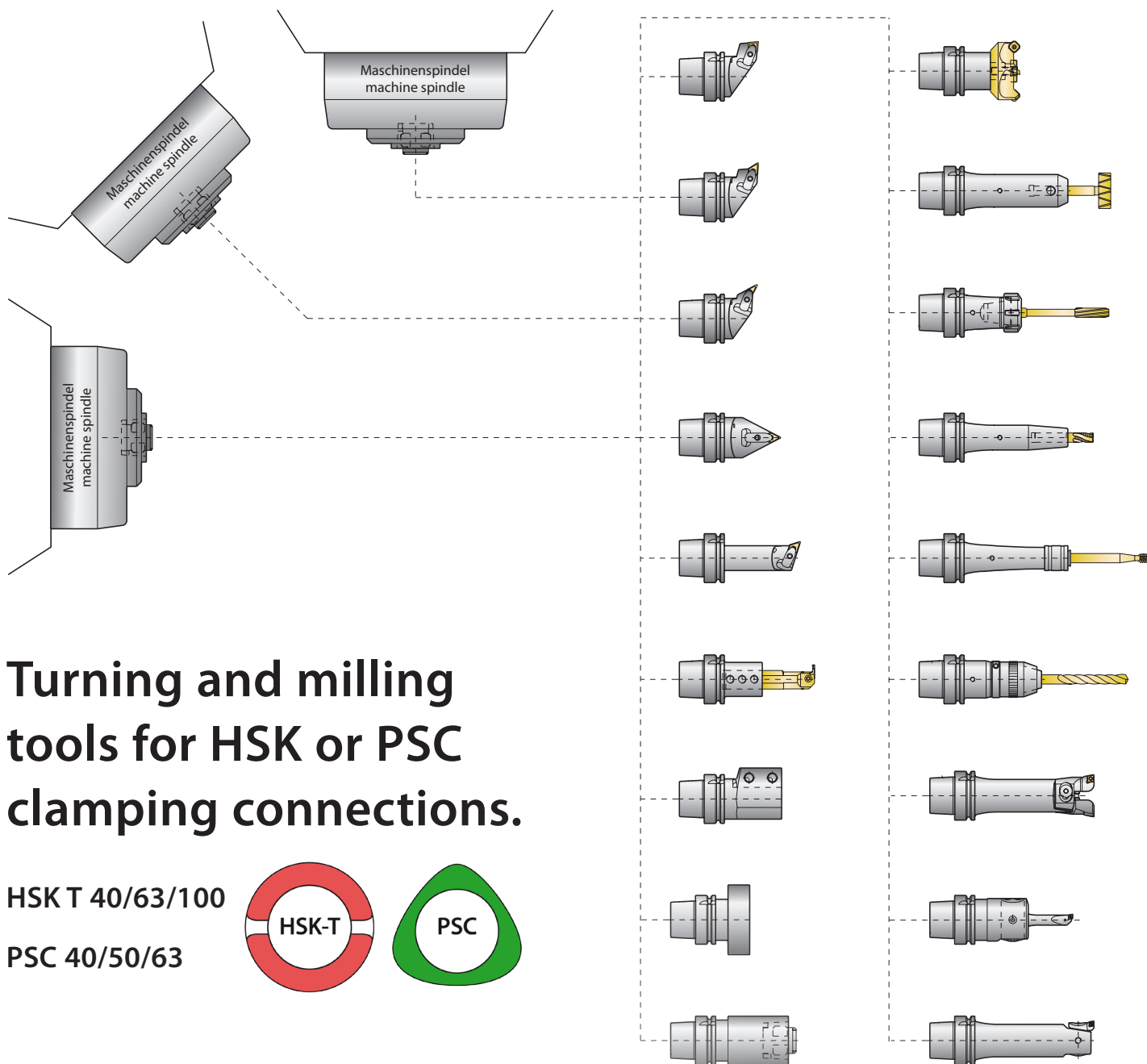


*driving productivity*

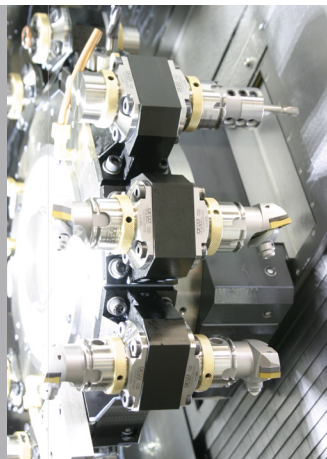
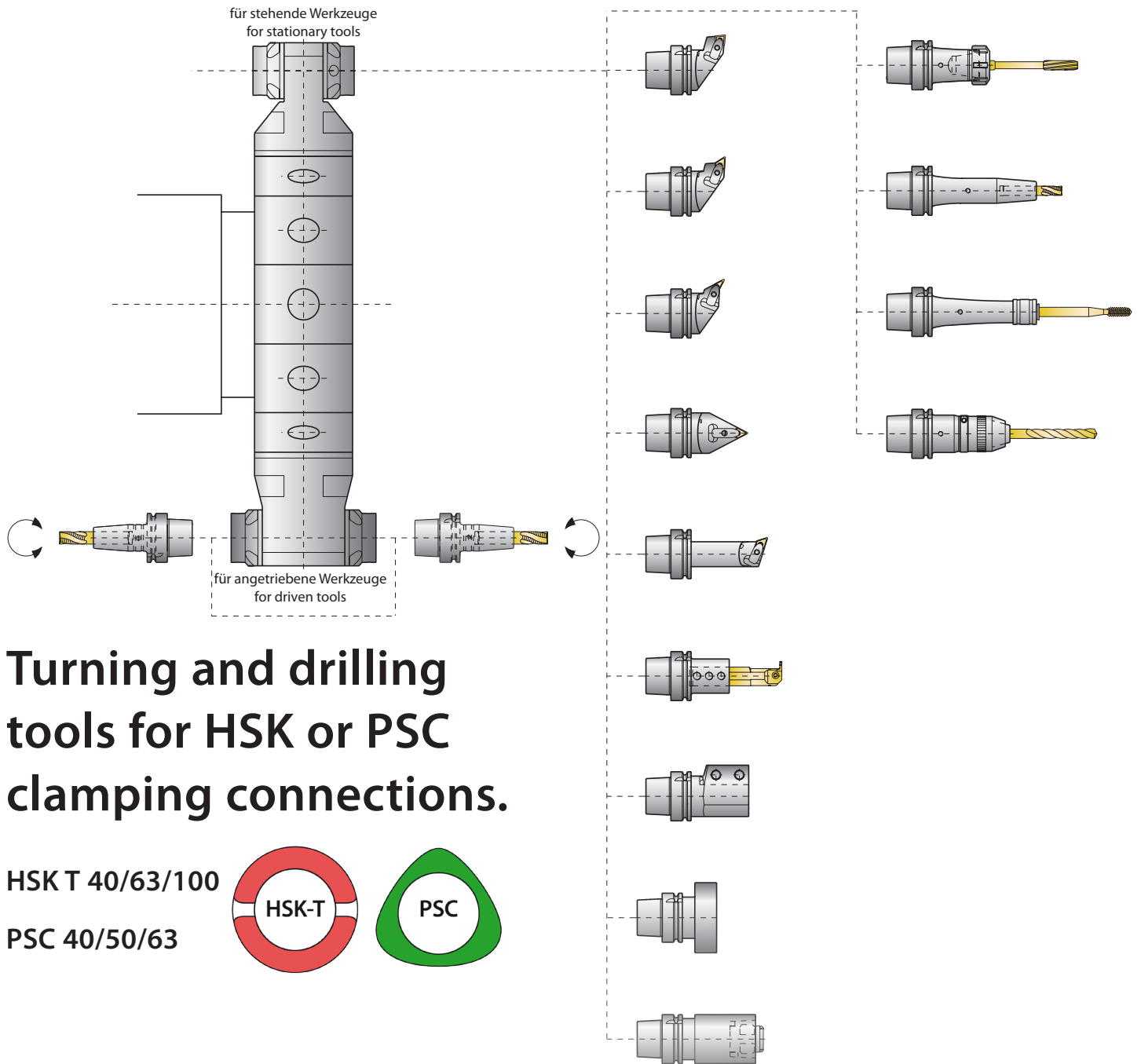
# System solution from SWISSTOOLS

- **System solution – from SWISSTOOLS**
- **Increase productivity by reducing non-productive time**
- **Very quick tool changing time**
- **Perfect repeatability with fixed tool geometry**
- **Useable for all machine brands**
- **Flexible with HSK, PSC and KM tools**
- **Cost efficient**

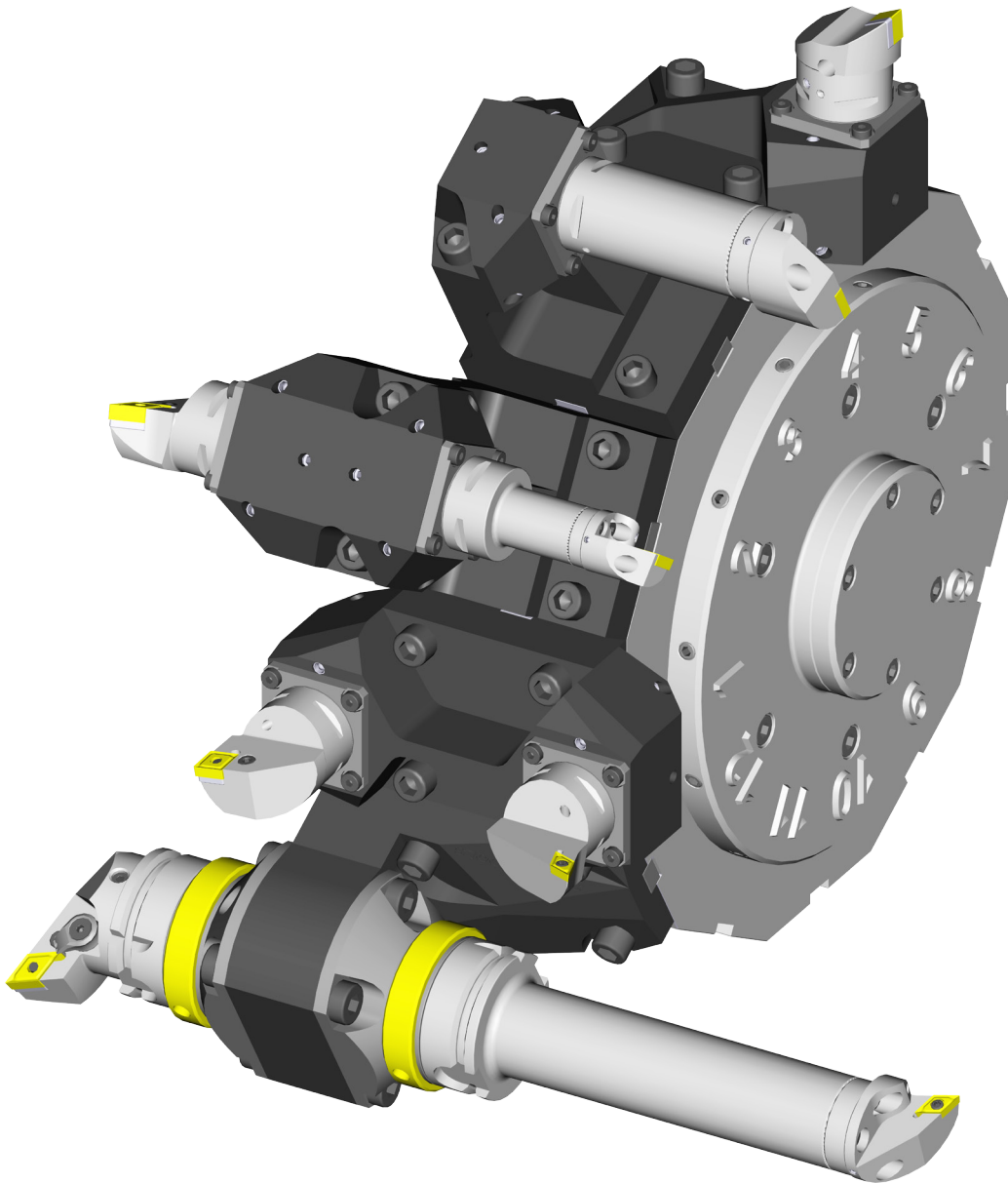
# Tool system for upper turning-/milling spindles



# QUICK-CHANGE tool system for turrets on turning lathes



# Adaptation to turrets



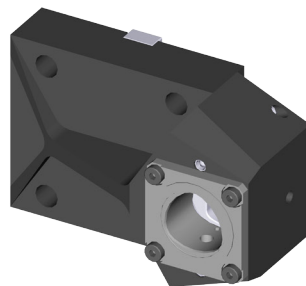
## **Tool holder with QUICK-CHANGE system**

The whole range of the system contains solutions for the most CNC lathes centres. Complementary on the machine tool with BMT / VDI or other connections.

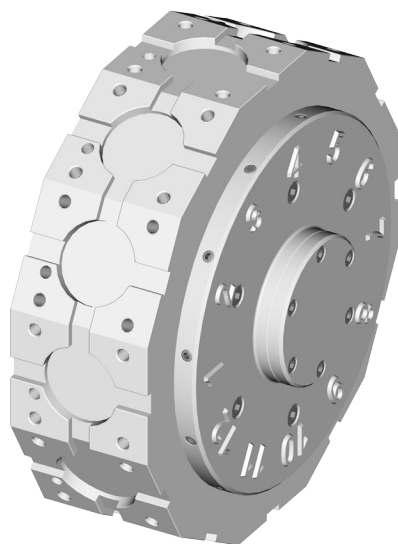
The tool connection is based on DIN/ISO standards with HSK T 40/63/100 or PSC 40/50/63.

The tool change is very simple and quick. Non-productive times are minimized and the productivity will increase.

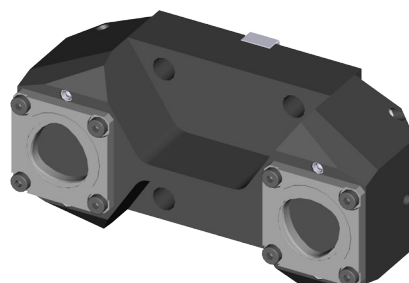
# Tool holders



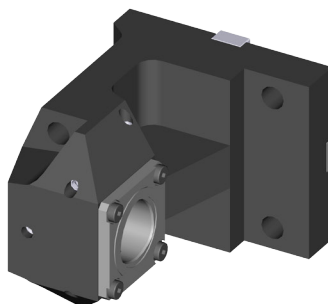
**Tool holder  
single straight**



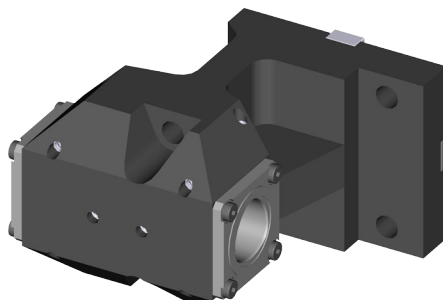
**Turret  
BMT/VDI/...**



**Tool holder  
double straight**



**Tool holder  
single angular**



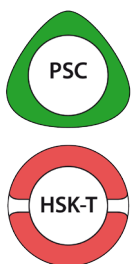
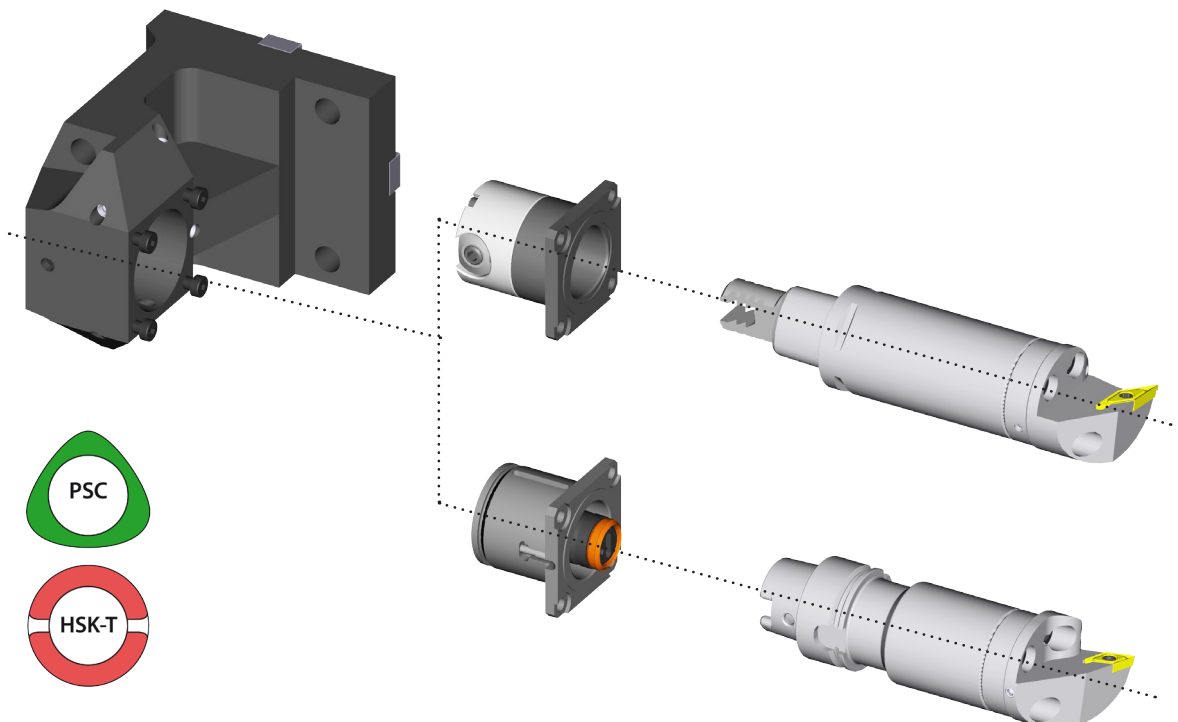
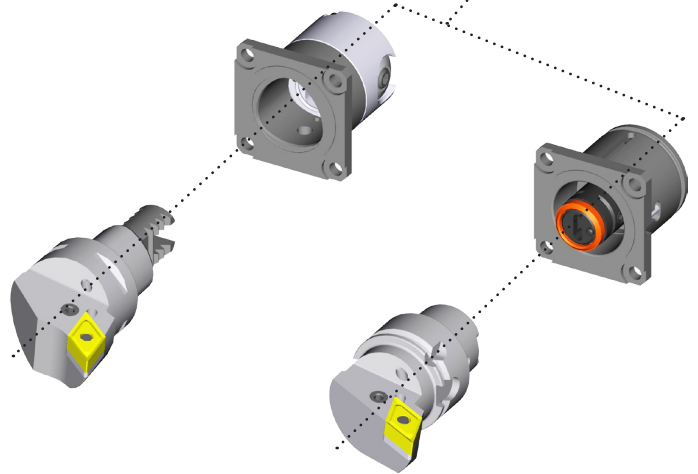
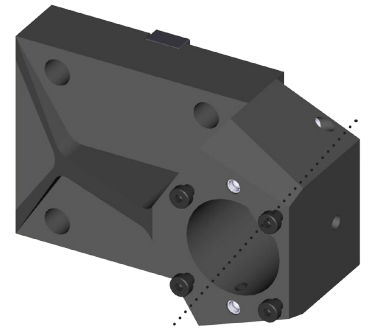
**Tool holder  
double angular**

# HSK / PSC clamping unit

Tool holders are equipped with HSK or PSC clamping units.

Very flexible for customer needs.

Clamping units are available in HSK 40/63/100 and PSC 40/50/63.



# Complete solutions from one hand

## Online configurator

- . for static and rotating tools
- . [www.swisstools.org](http://www.swisstools.org)



Germany France

**Schnellsuche**

Hersteller  
Alle

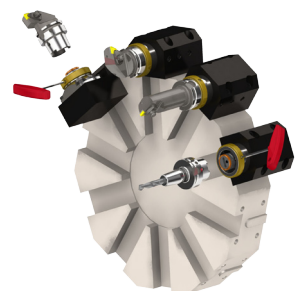
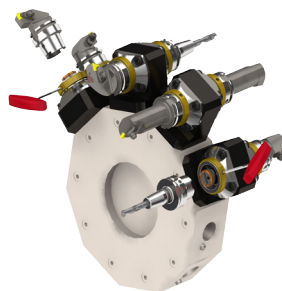
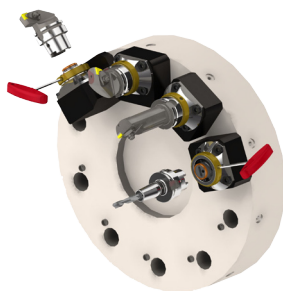
Modell  
Alle

Werkzeughaltertyp  
Alle

Schnittstelle Ausgang  
(Werkzeugaufnahme)  
Alle

354 Produkte

Gesamtprogramm

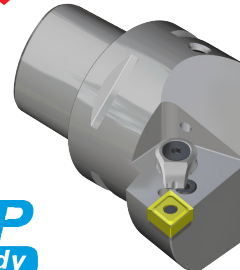


## High performance coolant

- . to turn efficiently
- . optimal cooling by fix orientated nozzle's

**NEW**

**HP  
ready**



## Boring bars with exchangeable cutting heads

- . all exchangeable cutting heads are equipped with high performance coolant
- . tool wear appears mainly at the changeable heads, the life time of the tool adaptor is therefore longer

**NEW**

**HP  
inside**



## Damped boring bar shanks

- . Productivity improvement: thanks to reduced vibrations, the cutting conditions can be improved considerably

**NEW**

