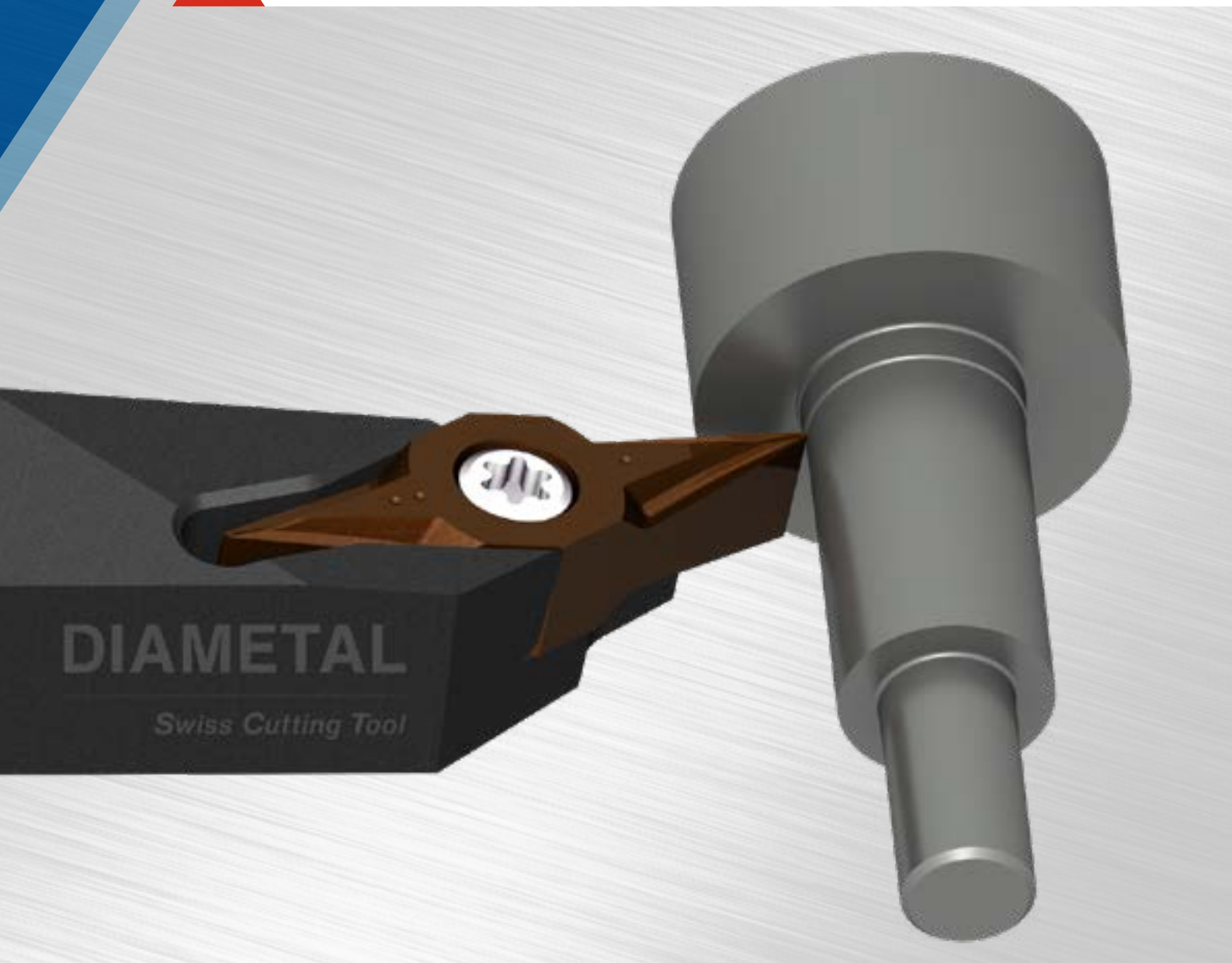


DIAMETAL[®]

Swiss Cutting Tool

TOPDEC[®] 4C

Doubled service life
and better surface quality



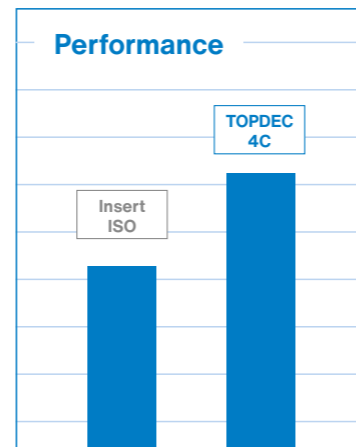
simply **D**ifferent

FEATURES

Discover the strengths of our TOPDEC® 4C

TOPDEC® 4C insert **doubles the number of cutting edges** and guarantees **the unique processing quality** of DIAMETAL. This **under the same conditions of use** as a standard TOPDEC® insert.

- ▶ Doubled tool life
- ▶ Better surface finish
- ▶ High performance due to special coatings
- ▶ 1 TOPDEC® 4C insert = 2 standard inserts
- ▶ Numeroted cutting point



ADVANTAGES

TOPDEC® VCGX standard insert

- ▶ 2 cutting edges
 - ▶ 1 side
 - ▶ Clearance angle
-

Tool holder with insert TOPDEC® VCGX

- ▶ Cutting edge parallel to the base
-

TOPDEC® 4C VNGX - Double sided

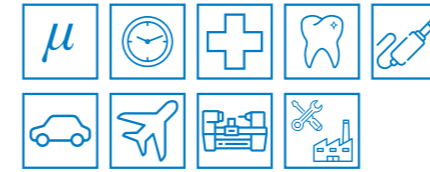
- ▶ 4 cutting edges
 - ▶ 2 sides
-

Tool holder with insert TOPDEC 4C® VNGX

- ▶ Cutting edge parallel to the base
 - ▶ Clearance angle thanks to the inclination of the insert on the tool holder
-

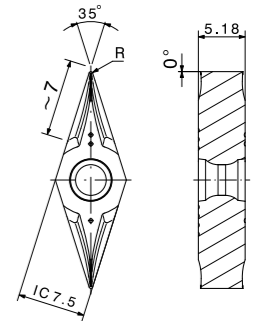
TOPDEC® 4C

Double sided with 4 cutting edges



P1	P2	P3	P4	P5	M1	M2	M3	K1	N1	N2	N3
N4	N5	N6	N7	N8	S1	S2	S3	H1	H2		

Roughing	▶
Finishing	▶▶▶



VNGX-FN

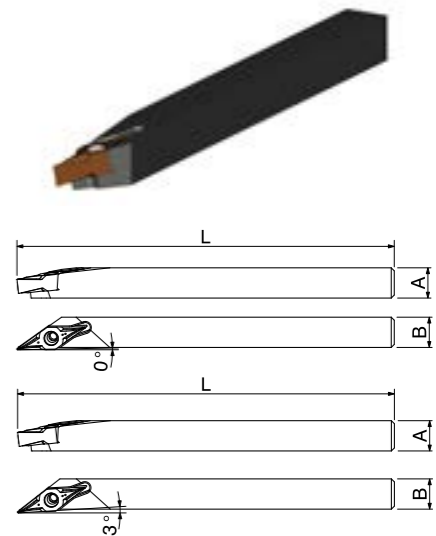
VNGX

Dimensions	Type	Radius	Uncoated Art. No	D100 Art. No
1204008	FN	0.08	• 433 984	• 436 615
120402	FN	0.20	• 436 039	• 436 620

Other dimensions, geometries of the cutting edge and/or coatings on request

TDHAL Toolholder

Type	A x B x L	Art. No
SVAN-R 90°	10 x 10 x 120	• 434 058
SVAN-R 90°	12 x 12 x 120	• 434 059
SVAN-R 90°	16 x 16 x 120	• 434 060
SVAN-R 90°	20 x 20 x 120	• 434 061
SVJN-R 93°	10 x 10 x 120	• 436 621
SVJN-R 93°	12 x 12 x 120	• 436 622
SVJN-R 93°	16 x 16 x 120	• 436 623
SVJN-R 93°	20 x 20 x 120	• 436 624



Accessories

Type	Dimensions	Art. No
Screw	TP9 M3x7.6	• 431 981
Screwdriver	TP9	• 436 800



- Available
- Delivery time: 1 to 3 weeks

DIAMETAL®

Group 

Solothurnstrasse 136
CH 2504 Biel/Bienne

Tel +41 32 344 33 33
Fax +41 32 344 33 44
sales@diametal.com

DIAMETAL®

Switzerland 

Solothurnstrasse 136
CH 2504 Biel/Bienne

Tel +41 32 344 33 33
Fax +41 32 344 33 44
sales@diametal.com

DIAMETAL®

France 

Route de Wolschwiller
FR 68480 Oltingue

Tel +33 3 89 07 58 00
Fax +33 3 89 40 70 41
sales-fr@diametal.com

DIAMETAL®

Italy 

Via G. Rossini 10
IT 21052 Busto Arsizio (VA)

Tel +39 331 62 94 78
Fax +39 331 62 97 20
sales-it@diametal.com

DIAMETAL®

China 

Precision Tooling (Nanjing) Ltd.
No. 70, Phoenix Road
Room 210, Building 43
Jiangning Development Zone
CN 211106 Nanjing

Tel +86 25 5210 6910
Fax +86 25 5210 6912
sales-cn@diametal.com

www.diametal.com

Follow us on

