

Headquarters

**SCHAUBLIN**

Switzerland 

**SCHAUBLIN SA**  
Rue de la Blancherie 9  
CH - 2800 Delémont

office.d@schaublin.ch  
+41 (0) 32 421 13 00  
www.schaublin.ch



**SWISS TOOLS**

Switzerland 


**SWISS TOOLS SYSTEMS AG**  
Wydenstrasse 28  
CH - 8575 Bürglen

info@swisstools.org  
+41 (0) 71 634 85 20  
www.swisstools.org



Sales Offices

**Schaublin GmbH**

Germany 

**SCHAUBLIN GMBH**  
Birkenweiherstr. 12  
63505 Langenselbold - Germany

info@schaublin.de  
+49 6184 93 27 20  
www.schaublin.de


**Schaublin USA, INC**

United States 

**SCHAUBLIN USA, INC**  
One Tribology Center  
102 Willenbrock Road  
06478 Oxford, CT - United States

schaublin-usa@schaublin.com  
+1 215 672 33 90  
www.schaublin.ch

**RBC France SAS**

France 

**RBC France SAS**  
Avenue de Norvège 19  
FR - 91140 Villebon-sur-Yvette

info@rbcfrence.com  
+33 (0) 160 921 735  
www.rbcfrance.com

**Schaublin Shanghai**

China 

**SCHAUBLIN SHANGHAI**  
Building T3, Room 1907, Raffles City  
1193 Cangning Rd,  
China - 200051 Shanghai

schaublin-asia@schaublin.com  
+86 21 6468 6443

美国滚子轴承公司上海代表处  
地址：上海市长宁区长宁路1193号  
长宁来福士广场T 3-1907  
邮编：200051



Look to our complete portfolio  
of products on our websites

**SWISS TOOLS**



**SCHAUBLIN**

 Swiss Quality

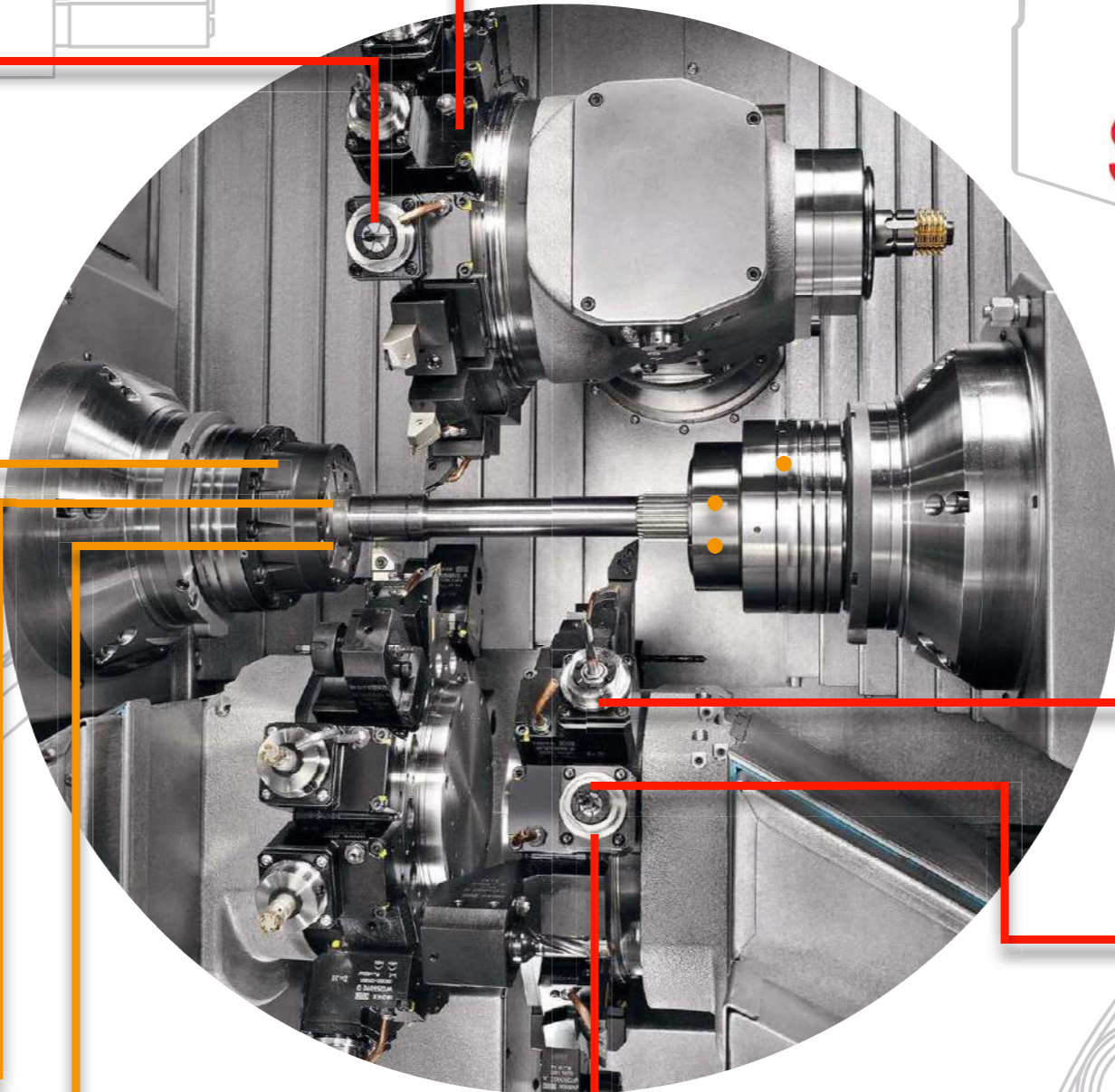
Version EN 08.21

Subsidiary of : 

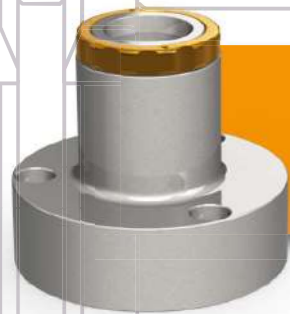
Copyright © 2021 SCHAUBLIN S.A., All Rights Reserved

# TURNING SOLUTIONS

ALL THE TOOLS YOU NEED FOR YOUR LATHE



External Turning  
High Performance Coolant



Chuck for turning  
A2-4 / A2-5 / A2-6

# SCHAUBLIN



Collets

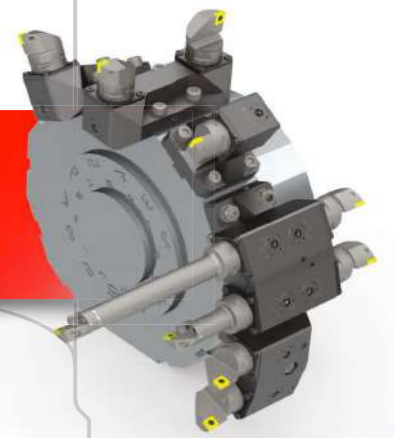


Expanding Arbors



CATALOG

Base tool holders  
PSC / HSK / KM



# SWISS TOOLS

Internal Turning



Damped boring  
shanks



Exchangable cutting  
heads



PSC



HSK



KM